

EyeRonec™ PEBBLE 12

*Limited Edition*  
**INSTRUCTIONS**



## **Table of Contents**

1. Precaution .....	3
2. Preparations.....	5
● Standard Accessories .....	5
● Part Names & Functions.....	6
3. key features.....	7
4. Use the Iriscope.....	8
● Install Battery.....	8
● Insert a Micro-SD Card.....	10
● Display Icons & Meanings .....	13
● Turn on the Iriscope.....	12
● Turn off the Iriscope.....	12
● How to Capture .....	14
● Playback .....	17
● Delete .....	18
● Zoom .....	16
● Download to Computer.....	11
● Preview on Computer.....	19
● Charge the Battery .....	9
● Output to TV .....	19
5. Menu Introductions .....	21
● Set Resolution .....	21
● Capture mode.....	22
● Loop recording .....	22
● Date/Time.....	23
● Date Stamp.....	23
● TV out.....	24
● Auto Power Off.....	24

●	Language .....	25
●	Format SD .....	25
6.	Specifications .....	26
7.	Troubleshooting .....	27
<b>PC Software Introductions .....</b>		<b>29</b>
Install the software.....		29
Start Iriscope .....		30
Software functions.....		31
●	Capture Photo.....	31
●	Capture Video... .....	31
●	Download Micro SD card to PC/MAC .....	11
●	Draw and text .....	32
Software Interface Instructions.....		33
●	Main Interface Icons.....	33
●	Main Menu .....	34
●	Options .....	35
●	Capture.....	33
●	Tips and ideas .....	36-37
●	Refunds .....	38
●	Contacts .....	39

## **Welcome**

Thank you for purchasing the Limited Edition

### **EyeRonec Pebble 12 Handheld Digital Iriscope**

Please take a moment to read through this manual. Its contents will help you to get the best use of the Iriscope. As most of you will be conversant with iridology we will concentrate on the technical items of the camera and some great tips on how to get the best from your camera.

## **1. Precaution**

Before using the Handheld Digital Iriscope, please ensure that you read and understand the safety precautions described below. Always ensure that the Handheld Digital Iriscope is operated correctly.

- ❑ Never operate The Handheld Digital Iriscope or any camera where operation of such devices is restricted.
- ❑ Do not try to open the case of the Pebble 12 Digital Iriscope or attempt to modify it in any way.  
Maintenance and repairs should be performed only by EyeRonec authorized service providers.
- ❑ Keep the camera away from water and other liquids. Do not use the Handheld Digital Iriscope with wet hands. Never use the camera in the rain or snow. Moisture creates the danger of fire and electric shock.

- Keep The Handheld Digital Iriscope and its accessories out of the reach of children and animals to prevent accidents or damage to the Digital Iriscope.

If you notice smoke or a strange odour coming from the Iriscope , turn the power off immediately and remove the battery if it is safe to do so and send the unit to EyeRonec for repair. Do not attempt to repair the device yourself.

- The Handheld Digital Iriscope may become slightly warm during use. This is normal and does not indicate a malfunction.
- If the exterior of The Handheld Digital Iriscope needs cleaning, only wipe it with a soft, dry cloth.

### **FCC Notice**

This equipment has been tested and found to comply with the limits for a Class B digital device, pursuant to Part 15 of the FCC Rules.

These limits are designed to provide reasonable protection against harmful interference in a residential installation.

To comply with the limits for a Class B digital device, pursuant to part 15 of the FCC Rules, this device, when needed, must only be connected to computer equipment certified to comply with the Class B limits.

### **ACCC no return notice**

The camera is safe, has no undisclosed problems, does exactly what is stated in it's specs and is exactly as described. Users are expected to have sufficient computer skills to operate the device. Inability to do this is not a valid reason for complaint, return or refund..

## 2. Preparations

### ■ Standard accessories



Digital  
Iriscope



Battery



Power adaptor



USB cable



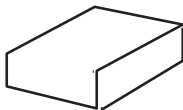
TV video cable



USB drive

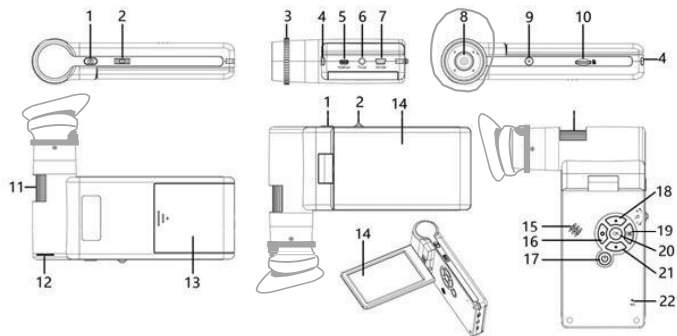


Manual



Box

## ■ Parts Names & Functions



No.	Functions	No.	Functions
1	Capture / Snap shot button	12	LED brightness dial
2	Zoom in/out;	13	Battery compartment
3	Bi directional Eye cup	14	4" LCD display screen
4	Battery charging indicator	15	Speaker
5	HDMI out	16	Settings
6	TV video out 3.5mm socket	17	Power on/off
7	5V/ Micro USB socket	18	Up / next image
8	Lens & Lighting system	19	Mode (Photo/Video/Playback)
9	1 threaded hole for stand screw(1/4-inch)	20	Confirm / OK button
10	Micro-SD card slot	21	Down / Previous image
11	Focus wheel	22	Microphone

### 3. Key Features

- Magnification: 10x-300x, up to 1200x via digital zoom
- 4-inch IPS LCD panel, 800x480 pixels
- Photo resolution: 12M/10M/8M/5M/3M/2M

Video resolution: 1080p/720p

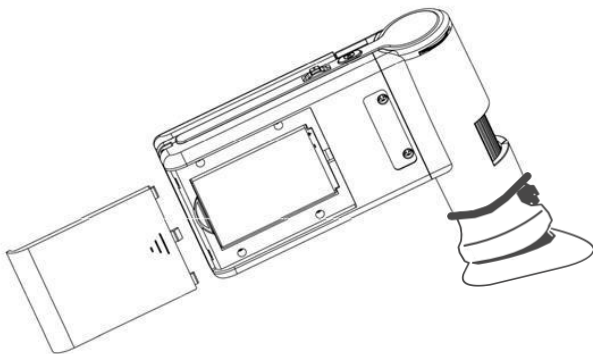
- Storage: On Micro-SD card
- Powered by: Rechargeable battery, or power adaptor
- Measurement: by software on computer only, **Not used in iridology**
- Software: *Portable Capture Plus*  
for Windows 7/8/10, Mac 10.14 or later.  
Software is available on the included USB drive or by  
download at [www.cameradownload.net](http://www.cameradownload.net).



## 4. How to use the Iriscope

### 4.1 Installation of the battery

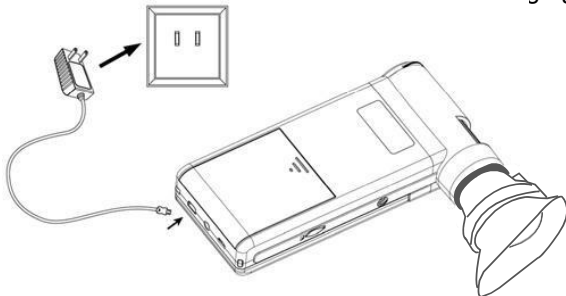
- 1). Open the battery lid by pushing the indicator lines and sliding it downward.
- 2). Insert the lithium battery into the battery compartment according to the polarity shown in the compartment.



Note: We may have installed the battery for you. Before using the Iriscope, you must pull out the protection tab and maybe charge the battery. Please refer to the section below on how to charge the battery.

## 4.2 Charge/recharge the Battery

1. Plug the small end of the power adaptor into the *DC-in* port located on the bottom of the unit. Then plug the other end of the power adaptor into a standard AC outlet. The battery indicator RED LED at the corner of the unit will be lit to show that the battery is charging.



2. When the battery has finished charging, the battery indicator LED **will go off**.  
Now unplug the charger.
3. You can use your Iriscope for up to four or more hours of continuous use. When the battery is low, the *low-power* indicator on the right-hand corner of the panel will show just one bar and the picture quality can become poor.  
You need to connect the power adaptor or the USB cable from the computer to recharge the battery.

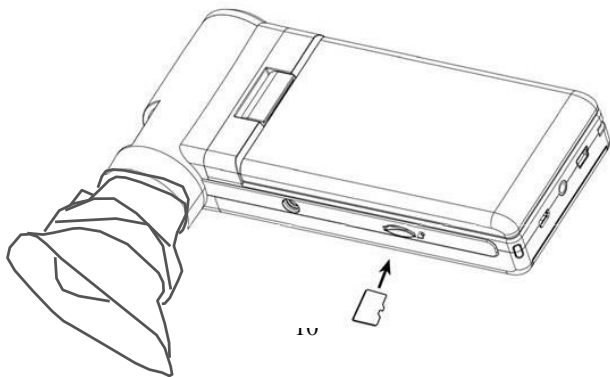
## 4.2 Next insert the Micro-SD Card

We have installed a **1 T b** Micro-SD card. The card will record and store your pictures. To install a new card Turn off the Iriscope, Insert the card into the Micro-SD card's slot; gently press in until card is latched.

**Note:** Do not force the card into the slot; forcing it may damage the Iriscope and the Micro-SD memory card.

Align Micro-SD card position (as marked) and try again. A new Micro-SD memory card must be formatted before use. See the formatting instruction later in this manual.

Please Note that the 1TB card we installed for you, can take some 10,000 pictures. Sometimes the camera can NOT handle this large number fast enough and will show an **IMAGE ERROR**. All the pictures will download OK but to avoid this error please purchase a smaller card say 64 Gb (speed 10 Mbs or higher)



## 4.3

### ■ Downloading the SD card images on PC/MAC

#### Download via USB cable (Recommended way)

Connect a USB cable directly to a USB port on the computer

**Not** a hub or multi USB device as these may not work.

When properly connected, the camera's screen will automatically turn ON and **after 10 secs** the screen shows:

**Mass storage** and **PC camera**. Select **Mass storage** and all the stored images will show on the computer screen for you to work with.

#### Remove Micro SD card – ( Alternative way)

Carefully remove the Micro SD card by pushing the card

All the way IN. The card should pop up ready to be removed.

Note the way the card goes into the slot for later re-insertion.

Place the SD card into the reader the correct way around.

Now place the reader into the USB port of the computer.

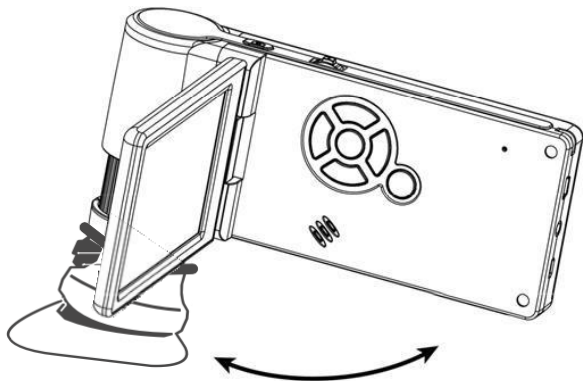
The reader will show on the list of Items connected to the computer. Open the device and place the items into a folder

(new folder) Maybe you call the folder **Iris images** or something like that. You can now delete unwanted images

or save them in clientfolders.

## 4.4 Turn on the Iriscope

- 1) Unfold the display panel and the Iriscope will power up. The Screen will take 10 seconds to light up.








- 2) If the unit does not start by itself when the panel unfolds, press the POWER ON/OFF button.

## 4.5 Turn off the Iriscope

Fold the display panel back or press the OFF button and the Iriscope will go into sleep automatically. The camera is in sleep mode it will always draw a little power from the battery draining it eventually over time. If you like the unit to power down when not in use for some time see section 5.8 for *Auto Power Off setup*.

## 4.6 Displayed Icons and their Meanings

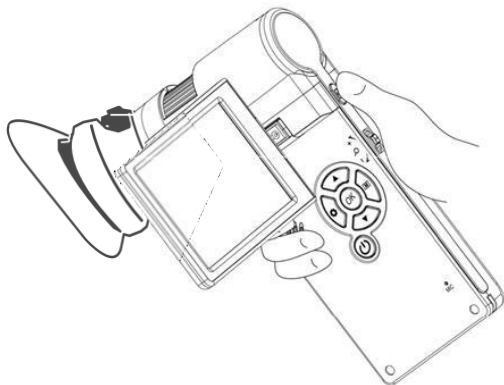


Icon	Meaning
	Photo capture mode
	Video capture mode
	Playback mode
001618	Quantity of photos that can be captured
12M	Current resolution
	Micro-SD card inserted
	Battery capacity

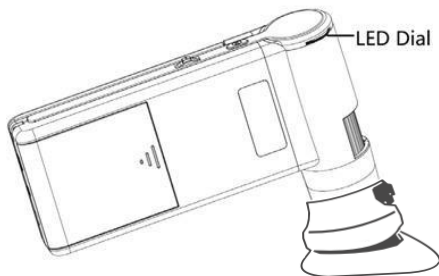
**Note:** The icon display screen will be off when there is no key pressed for 10s.

#### 4.7 How to take a picture:

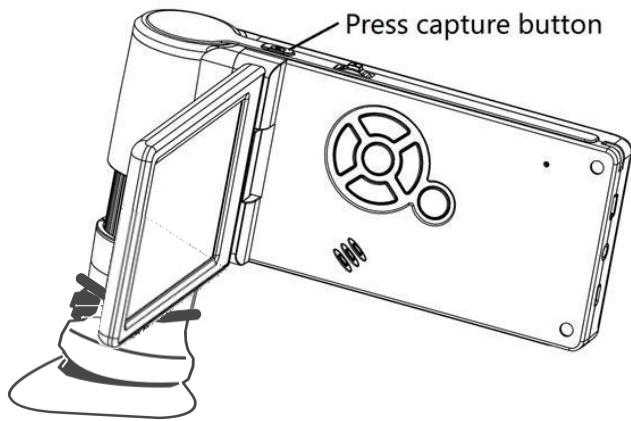
1) Turn the Iriscope ON by simply unfolding the display panel to a comfortable viewing position, normally at an angle of 90 degree with the screen angle as shown:



2) Adjust the LED brightness dial on the back to get the required brightness of the lights and select the number of lights with the push-button on the top of the camera.

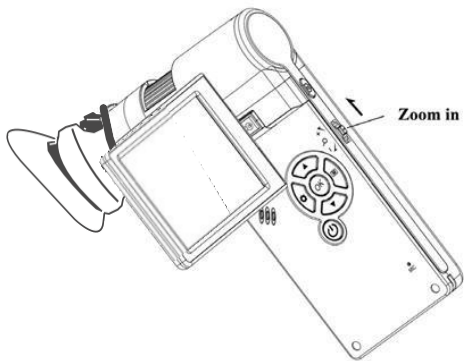


3) Hold the Iriscope's main body in one hand; put the eyecup over the eye or on a small item to practice. Adjust the focus wheel to get a clear image with your other hand. When you have a sharp image, hold the Iriscope steady and press the Capture button (1) once.

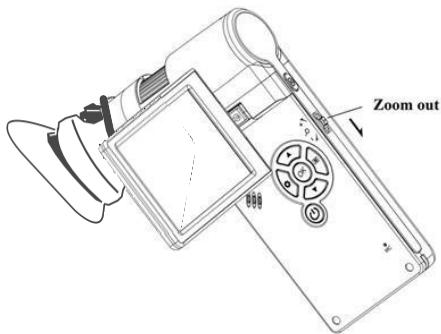




- 6) **How to zoom in:** Push the Zoom Wheel up  
One step at the time

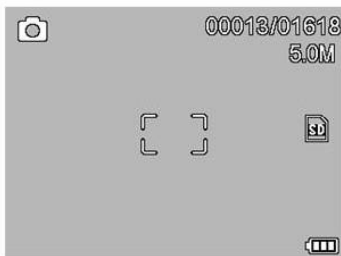


- 7) **Zoom out:** Push Zoom Wheel down.



## How to record a Video:

(1) Press Mode button (19) to enter video mode as follows. The video icon is shown in the left corner.



(2) Press the Capture button to start recording a video. Press again to stop.


## Play Back

(1) Press the Mode button (19) twice to enter PLAY BACK mode as follows. You will see the review icon in the left corner.



(2) Press UP/DOWN to select the captured pictures or videos you like to display

### (3) Delete

In play back mode, press  to enter the sub-menu as follows, then select delete.



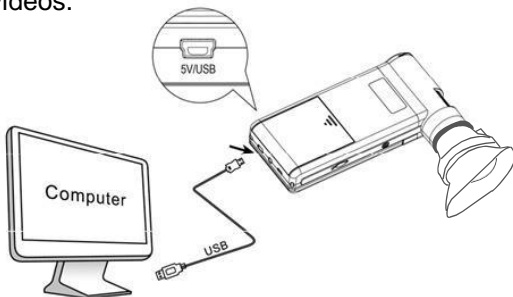
### (4) Protect

In play back mode, press  to enter the sub-menu as follows, then select *protect pictures* from being deleted.

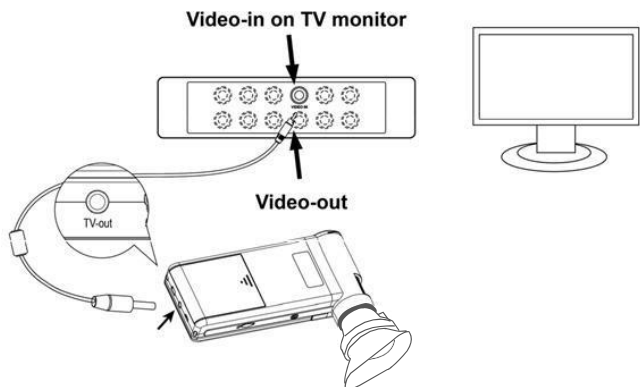


## 4.2 How to Download images to a Computer

- 1) Connect the Iriscope **directly** to the computer with a USB cable. After 10 secs the options appear.(If not use other USB)
- 2) Select *Mass Storage* this will show the stored photos and videos.



## 4.3 Camera output to TV screen or HDMI TV




1. Insert the 1/8-inch/3.5mm plug on the end of the supplied video cable into the Iriscope's **Video port**.
2. Insert the RCA plug on the video cable into one of your television's (yellow) **video input** connectors. Refer to your television's manual for more information if required.
3. Turn the television ON and switch your television to the appropriate **input source** and or channel. .

Modern flat screen TVs have a HDMI input use a HDMI connecting cable to connect the camera to get great pictures. Select the correct SOURCE on the TV and on older TVs select the Channel as well. The camera's images will now appear on the Television/Monitor screen.


HDMI cables are standard and you may already have one.

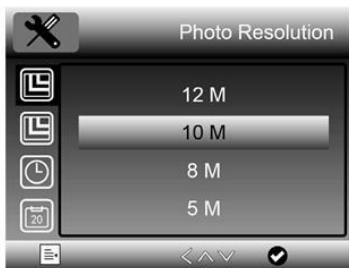
If not they are available in TV and electronics shops and most dollar stores.

## 5. Screen Menu **SETTINGS** item selections:


Press  to enter *camera setup*, with the following options:

### 5.1 Photo Resolution

In *photo* mode, press , you can now choose to select a resolution for your pictures. Select from: 12M/10M/8M/5M/3M.




### 5.2 Video Resolution

In *video* mode, press , you can choose to select a resolution for video recording between 1080P/720P.



### 5.3 Capture interval Mode (Maybe useful for Iridology)

In *photo* mode, press , choose Capture Mode to setup the interval capture. For example, setup the Iriscope to take a photo every 1 or 2 seconds and 3-5 images.




### 5.4 Loop Recording (Not used in Iridology)

In video mode, Press  to setup the length of each video clip; Off means loop recording not used.




## 5.5 Date/Time **It is recommended to set this**

Press  and scroll down to select date and time for your location. Press OK to advance and Setting to exit.




## 5.6 Date Stamp **We recommend to turn this ON**

In photo mode, press  to choose whether date and Time is placed on captured photos and videos.






## 5.7 Iriscope camera TV-out Mode

Press , and select between NTSC (USA) and PAL (Europe and Australia/NZ) systems. This makes the output of the Iriscope compatible with your CRT TV and flat screen models




## 5.8 Auto Power Off Recommended to save the battery

Press  and scroll down to select a time for the Iriscope to Power- down into sleep mode automatically after the set time limit. This could save the battery's life.




## 5.9 Language

Press  and you can choose the On Screen Display language.



## 5.10 Format SD

Press  to format the newly inserted Micro-SD card.  
**Anything recorded on the card will be deleted!!**



## 6. Specifications

**Magnification Ratio:** 10x to 300x, up to 1200x digitally

**LCD Display:** 4-inch IPS, 800x480 pixels

**Photo-resolution:** 12M/10M/8M/5M/3M/2Mp

**Video- resolution:** 1080p/720p for HDMI TV

VGA quality via video input of (older) TVs

**Focus Range:** Manual focus from 0 to 100mm

**Storage:** 64Gb micro-SD card or on computer in PC mode

**Output to external monitor:** By HDMI monitor or TV or with video cable to RCA AV input of (older) TV and Flat screen.

**Powered by:** Rechargeable battery and/or Power adaptor

**Light source:** LEDs with adjustable intensity and selection:

2 daylight lights, 2 warm lights, 4 lights, both daylight and warm, 8 daylight lights, and all 12 lights To suit all type of eyes.

**OSD language:** English, German, Spanish, French, Russian, Japanese, Chinese etc.

**Bundled software:** *Portable Capture Plus* for Win/Mac

Software is on the included USB drive and for downloads on [www.cameradownload.net](http://www.cameradownload.net)

**Camera Size:** 165(L) x 106(W) x 29(H)mm

**Weight:** 250g (with battery installed)

## 7. Troubleshooting

Problems	Solution
The unit does not turn on.	Remove the battery and put it back in.
The screen is blank.	Ensure that the power is on. Charge the battery. It takes 10 sec for the screen to turn on.
Iriscope is connected to a television, but no image appears on the television screen.	Ensure that the television is on. Switch to the appropriate video input source or channel on your television. Ensure that the video/HDMI cable is securely connected to the Iriscope Video-out port and plugged into the correct video input on your television.
<p>The battery indicator LED is not on (red), though the power adaptor is plugged into a wall socket. - or-</p> <p>The battery is not charging.</p> <p>When the camera is turned off it is in sleep mode and will draw a little power. Over time this will drain the battery</p>	<p>Make sure that the cable is plugged into the Iriscope's DC-in socket.</p> <p>Ensure that the mains outlet has power and is not malfunctioning. If the outlet is connected to a wall switch, make sure that the switch is on.</p> <p>Yes we've all made that mistake.</p>

# Instructions

For the use of the Pebble 12 as a USB camera, connected to a compatible computer and with ***PortableCapturePlus*** software installed.

You do NOT need to install this program UNLESS you like to use the camera as a USB camera with cable connected

Normally you just download the images from the Iriscope in the same way you'll download the pictures from your phone.

## Use Iriscope as a USB Camera on a COMPUTER

### Taking pictures and display them by using your computer

#### 1. Install the Software on your PC (Win/Mac)

Insert the driver USB stick into the USB port and select the USB drive from the menu on *mycomputer/computer* maybe E or F.

Double click to install **PortableCapturePlus** and the installation wizard will guide you through the whole process.


The software **PortableCapturePlus** is available on the included USB drive and downloadable from [www.cameradownload.net](http://www.cameradownload.net).

#### **Please note: Image quality**

*Please be aware that the photo image quality taken with the USB camera mode on the computer is NOT as good as the 12Mp images that are recorded on the Micro SD card and then downloaded on a computer.*

## 2. Start taking pictures with the Pebble 12 Iriscope

Connect your Iriscope to your PC USB port, start the

software by clicking the  icon generated on the desktop after installation and you will see the following screen pop up.




When the Iriscope is disconnected from your PC USB port, the following message will pop up.

**No Device detected, please  
connect your Microscope  
directly to your PC USB port.**


### 3. Software Functions

#### ■ Capture a picture/take a photo

- Click 'Photo' shortcut icon  in the main menu bar.
- Click 'Capture > Photo'.



#### ■ Capture Video

- Click 'Video' shortcut icon  in the main menu bar.
- Click 'Capture > Video'.

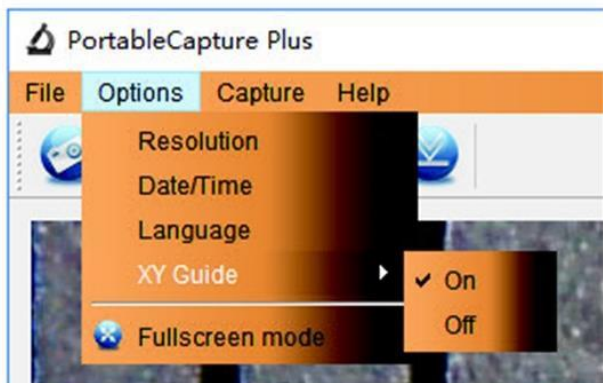




- **Draw and place Text**

You can draw or add text on the picture and save it for later

1. Click the icon to select the type of drawing you want from the pull-down menu below.



2. Click the **TT** icon to set the *font* for the text you like to put in the popup dialogue box and chose the *FONT* and/or the *COLOUR* of the text you like to use.

## Main Interface Icons



Capture photo - It's used to capture a photo one by one.



Start / Stop record video.

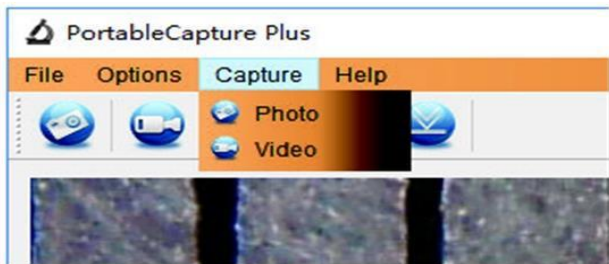


Timer for photo / video - Set the start time, interval time and total photo/video number.



Exit

### Capture

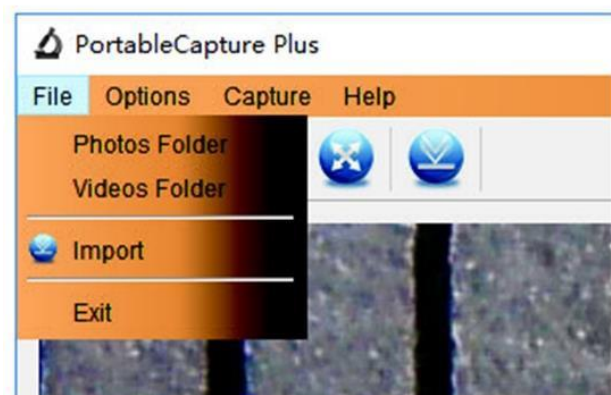


Select and click on **PHOTO** to take a picture.

Select and click on **VIDEO** to record a video clip

## Main Menu

### File

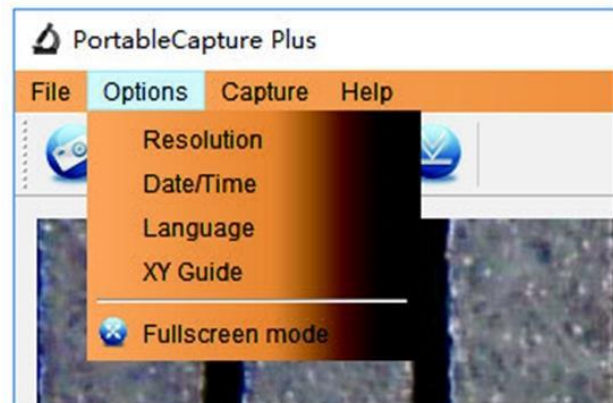


**Photos Directory:** set the directory to store photos.

**Videos Directory:** set the directory to store videos.

Full screen mode, Press ESC or double-click to exit.

## Options



**Resolution:** Change preview resolution size \*

**Date/Time:** Set to display system date/time on preview window

**Language:** Choose different OSD language

**Crossing:** Display a CROSS on the preview window

**Full-screen mode:** To enter into full screen. Click ESC or double click to exit.

\*Note: a computer cannot support 12MP live. For max resolution record the images on the SD card first and then down-load them onto your computer.

# Notes, remarks and ideas

## How to take a picture of your **own** eyes:

**Open** the camera screen and turn it clockwise, now you can place the camera over your **LEFT** eye, while looking at the screen. Focus as good as you can and take a number of pictures, as without glasses this can be a hit and miss affair. Taking pictures of the **RIGHT** eye is more difficult. Turn the camera upside down and follow the same steps as before. Remember to reverse the images after you have downloaded the eyes. You can also use the zoom while taking pictures to inspect fibres and spots.

\* **When** you magnify the image the colour of the eye goes a little lighter, to obtain a more realistic colour turn the light intensity down a little.

\***The** provided video cable and the instructions are for use of **VIDEO** inputs on TV sets including **OLD** TVs you could use as a monitor for promotions and teaching. The modern Flat screen TVs use a **HDMI** cable for High Resolution images.

- **The** microSD card can pop out of its slot like the toast out of the toaster so be careful not to lose it when it flies through the room. Also we thought to do the right thing and put a very large 1Tb card in the camera but we found that the size may be too much to handle and can give an error It does NOT affect the images they download fine but to avoid the error please buy a 64Gb card.
- Using the **ZOOM** function is great to magnify interesting parts of the eye, however very large digital magnification will make the image less sharp. There are 30 steps of zoom available; the magnification rate is shown on the left bottom corner of the screen. Every time you operate the zoom lever the image will enlarge ONE step and to zoom out you need to do the same, one step at the time or (the quick way) turn the camera OFF and ON to reset the zoom to normal in one go.
- \***Interval** mode seems of little use, however if you have trouble focusing maybe you try this feature by setting the interval to 1 second and say 3 images. You can then go through the images and delete what you do not want .Make sure to tell the patient to hold still.
- **The WARM** colour lights or a mixture of Daylight and Warm are used for brown eyes that have a white cloud over the iris, like driving in the fog, low beam and yellow fog lights will help to see better, the principle is the same with making pictures of the iris in this case so give it a try.

# Refunds and returns

We are not required to provide a refund or replacement if you change your mind.

But you can choose a refund or exchange if an item has a **major** problem. This is when the item:

- has a problem that would have stopped someone from buying the item if they had known about it
- is unsafe
- is significantly different from the sample or description
- doesn't do what we said it would, or what you asked for and can't be easily fixed.

Alternatively, you can choose to keep the item and we will compensate you for any drop in value.

If the problem is **not major**, we will repair the item within a reasonable time. If it is not repaired in a reasonable time you can choose a refund or replacement.

Please keep your proof of purchase-e.g. your receipt.



# EyeRonec



IRIDOLOGY CAMERAS & EQUIPMENT

## EyeRonec Australia:

Ph: 0452 HERBAL 0452 437 225 9am -5pm

[www.iritology.nl](http://www.iritology.nl) [leo@eyeronec.com.au](mailto:leo@eyeronec.com.au)

## EyeRonec International / USA:

Free call: **1-888 9595 304** 9am-5pm AEDT

or

+61 452HERBAL - +61 452437225 AEDT

Website: [www.eyeronec.us](http://www.eyeronec.us) - Email: [leo@eyeronec.us](mailto:leo@eyeronec.us)

